

PHILCO MODEL TP-5

MODELS TP-5 and TP-5-1 are 5 tube superheterodyne receivers having 2 tuning ranges covering from 540 to 1720 kilocycles on the broadcast band and from 2.3 to 2.5 megacycles (M.C.) on the police band. This model is designed for operation on alternating current (A.C.) or direct current (D.C.) 115 volts. These models are identical with the exception of cabinets.

The set is equipped with 6 electric push-buttons for automatically selecting stations in addition to dial tuning. Five push-buttons are used for the stations and one push-button for selecting dial tuning. The push-buttons cover a frequency range as follows:

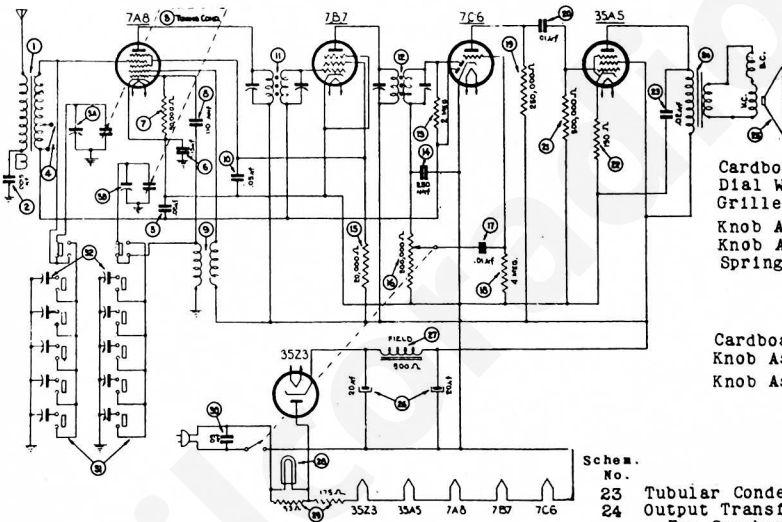
Push-button	Padder (right to left from rear)	Circuit	Buttons (left to right from front)	Frequency Range	Padder (right to left from rear)	Circuit	Buttons (left to right from front)	Frequency Range
1	1	Ant. Osc.	1	540 to 1030 kilocycles	7	Ant. Osc.	4	900 to 1470 kilocycles
2	2	Ant. Osc.	2	650 to 1100 kilocycles	8	Ant. Osc.	5	1160 to 1600 kilocycles
3	3	Ant. Osc.	3	740 to 1240 kilocycles	9	Ant. Osc.	6	Manual
4	4	Ant. Osc.			10	Ant. Osc.		
5	5	Ant. Osc.						
6	6	Ant. Osc.						

The procedure for adjusting and operating the electric push-button tuning is contained on page 1.

An indoor aerial 20 feet in length is attached to the receiver for average receiving conditions; however in apartment houses, hotels or steel reinforced buildings, the Philco Utility Aerial Part No. 40-8384 is recommended.

The procedure for aligning the compensating condensers of these models will be found on page 3 under General Aligning Instructions.

NOTE: If no sound is heard after connecting the receiver to the power supply and sufficient time has been allowed for the tubes to heat, reverse the electric plug in the outlet. The same procedure should be observed on A.C. power supplies when a slight hum is heard with the volume turned low.



REPLACEMENT PARTS

MODEL TP-5T WALNUT

Cardboard Back.....	27-9314
Dial Window.....	27-5472
Grille Cloth.....	44-1288
Knob Assembly.....	27-4809
Knob Assembly (Push Button).....	27-4823
Spring Push-Button Knob.....	28-6886

MODEL TP-5T IVORY

Cardboard Back.....	27-9328
Knob Assy. (Push Button).....	27-4830
Knob Assy. (Tuning, Volume).....	27-4810

MODEL TP-5

Schem. No.	Description	Philco Part No.
23	Tubular Condenser (.02 mf., 400V)	30-45168
24	Output Transformer	
	For Speaker 36-1469-1.....	32-8047
	For Speaker 36-1469-9.....	32-8044
25	Cone Assembly	
	For Speaker 36-1469-1.....	36-4115
	For Speaker 36-1469-9.....	36-4113
26	Electrolytic Condenser (20-20 mf., 160V.).....	30-2382
27	Field Coil -- Part of Speaker No.	36-1469
28	Pilot Lamp.....	34-2088
29	Line Resistor.....	33-3387
30	Tubular Condenser (.03 mfd. 400V.).....	30-4449S
31	Push-Button Switch.....	42-1485
32	Padding Condenser Strip.....	31-8293
	Drive Cord Assembly.....	31-2368
	Drive Shaft Assembly.....	31-2355
	Drive Drum.....	28-6882
	Padder Strip.....	31-6293
	Pointer.....	27-4891
	Power Cord.....	L-3199
	Push-Button Switch.....	42-1485
	Scale.....	27-5553
	Sockets.....	27-6130
	Spring (Drive Cord).....	28-6954
	Speaker.....	36-1469

Schem. No.	Description	Philco Part No.
1	Antenna Transformer.....	32-3168
2	Tubular Condenser (.0015 mf., 200V)	30-4555S
3	Tuning Condenser.....	31-2365
4	Switch.....	42-1408
5	Tubular Condenser (.05 mf., 200V)	30-4519S
6	Tubular Condenser (.15 mf., 400V)	30-4505S
7	Resistor (50,000 ohms, 1/3 watt).....	33-350244
8	Mica Condenser (110 mmf.).....	30-1031
9	Oscillator Transformer.....	32-3167
10	Tubular Condenser (.05 mf., 200V)	30-4519S
11	1st I.F. Transformer.....	32-3149
12	2nd I.F. Transformer.....	32-3150
13	Resistor (2 meg., 1/3 watt).....	33-520244
14	Mica Condenser (250 mmf.).....	30-1032
15	Resistor (20,000 ohms, 1/3 watt).....	33-320244
16	Volume Control (500,000 ohms).....	33-5308
17	Tubular Condenser (.01 mf., 200V)	30-4479S
18	Resistor (4 meg., 1/3 watt).....	33-540244
19	Resistor (250,000 ohms, 1/3 watt).....	33-425244
20	Tubular Condenser (.01 mf., 400V)	30-4572S
21	Resistor (500,000 ohms, 1/3 watt).....	33-450244
22	Resistor (130 ohms, 1/2 watt).....	33-113336